



# 040 Size Hygienic Stainless Steel FIP Pump

11/00

## 28200 Series

### Hygienic Stainless Steel Pedestal Pump

#### Features

- Self primes from dry up to 5.0 metres
- Flows up to 40 litres per minute
- Pressure up to 3.0 bar
- Handles soft solids - max. 8mm diameter
- Certified to US 3A Standard 02-09
- Clean-In-Place (CIP) or easy strip clean
- Handles viscosities up to 50,000 centiPoise
- Minimal shear to thixotropic fluids
- Easy to service and maintain



#### Typical Applications

- Foods, sauces, doughs, preserves, liquid egg, meat pastes
- Dairy products, milk, cream, yoghurt, cheeses
- Cosmetics, toothpaste, shampoos, soaps
- Pharmaceutical creams & lotions
- Wines, beers, soft drinks, fruit juices & syrups
- Ingredients unloading and transfer
- Tank filling and emptying
- Recirculation and mixing
- Portion and container filling
- Brine injection
- Sampling, filtration and more

#### Specifications

**Seal** : Carbon / Ceramic mechanical face seal  
Tungsten Carbide / Ceramic hard faced seal  
Flushed options for crystallising fluids

**Seal Elastomer** : Food grade Nitrile

**Pump Head** : Stainless steel 316, machined interior and electropolished exterior finish

**End Cover** : Stainless steel 316 grade

**Shaft** : Stainless steel 316 grade

**Bearings** : Greased ball bearings

**Bearing Housing** : Epoxy coated cast iron

Ports :			
1"	Tri-Clamp	28200-1xxx	
25mm	IDF/ISS	28200-3xxx	
1"	RJT to BS1864	28200-4xxx	
1"	3A Bevel Seat	28200-5xxx	
25mm	DIN 11851	28200-6xxx	
25mm	SMS 1145	28200-7xxx	

#### Model Range

**Weight** : 2.9kg

Pressure options	Standard - Max 2.5 bar		High - Max 3.0 bar	
	3A Neoprene	E.P.D.M.	3A Neoprene	E.P.D.M.
Elastomer option	3A Neoprene	E.P.D.M.	3A Neoprene	E.P.D.M.
Temperature range	4°C to 65°C	0°C to 120°C	4°C to 65°C	0°C to 120°C
<b>Mechanical Seal Options</b>				
Carbon/Ceramic	28200-x105	28200-x102	28200-x125	
Tungsten Carbide/Ceramic hard faced	28200-x205		28200-x225	
<b>Flushed Mechanical Seal</b>				
Tungsten Carbide/Ceramic hard faced	28200-x705		28200-x725	
Carbon/Ceramic	28200-x905		28200-x925	

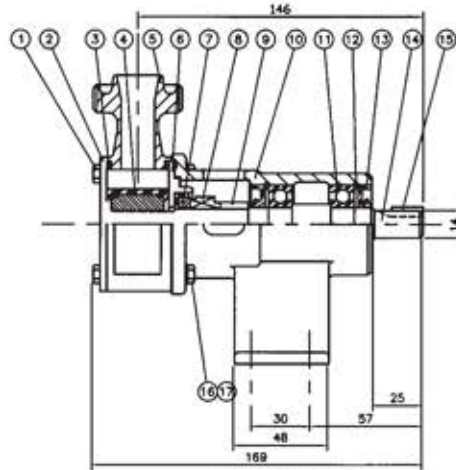
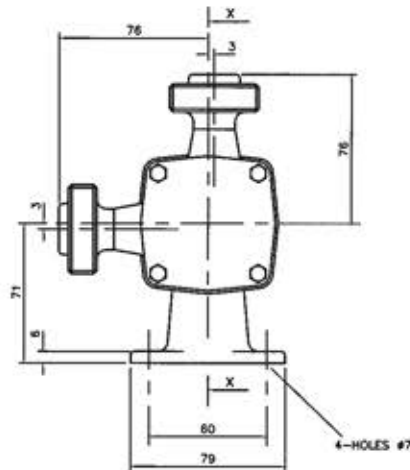
For models not listed above, consult distributor or factory, 'x' Substitute port code from table above

Note : it is not recommended to start the pump at extremes of the temperature range, impeller damage may occur

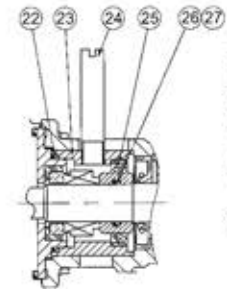
For Installation, Operating, Maintenance and Safety Instructions refer to form 43001-0543

**WARNING** Explosion hazard. Do not pump gasoline, solvents, thinners or other flammable liquids. To do so can cause an explosion resulting in injury or death.

**WARNING** Injury hazard. Exposed pulleys and belts can cause injury. Install shield around pulleys and belts. Stay clear while machinery is operating.



### 28200 Series



Flushed Seal

Dimensions in mm

For performance data refer to the 040 size flexible impeller pump performance curves

### Parts List

Key	Description	Qty	Part Number
1	Screw	4	X3001-147F
2	Endcover	1	28205-0020
3	O'Ring *	2	See right
4	Impeller*	1	See right
5	Body	1	See right
6	Wearplate	1	28236-0000
7 / 8	Seal Assembly *	1	See right
9	Seal Spacer	1	28217-0000
10	Bearing Housing	1	28203-0000
11	Bearing	2	SP2600-01
12	Retaining Ring	2	SP1701-4435
13	Lip seal (Bearing Housing)	2	SP2700-39
14	Shaft	1	28207-0000
15	Key	1	X4000-109A
16	Washer	4	X3080-081F
17	Screw	4	X3001-153F
22	O-Ring	1	X4020-237A
23	Seal Housing	1	28212-0000
24	Tube	2	21844
25	Seal	1	SP2701-0913
26	O-Ring	1	X4020-215A
27	Seal Spacer	1	28217-0001

Parts marked \* Contained in service kit

### Spare Parts & Service Kits

Pressure Rating		Standard	High
3	O-Ring	Nitrile X4020-259A	X4020-259A
4	Impeller	3A Neoprene	7614-0005B
		E.P.D.M.	7614-0002B
5	Body	Tri-Clamp	28204-1000
		IDF/ISS	28204-3000
		RJT	28204-4000
		Bevel Seat	28204-5000
		DIN	28204-6000
		SMS	28204-7000
7 / 8	Seals	Std Mech.	28231-0103B
		Hard Faced	28231-0203B
Service Kit	3A Neoprene	SK376-0105	SK376-0125
	E.P.D.M.		

Models with Neoprene and E.P.D.M. impellers use Nitrile elastomers on seals and O-rings.

High Temperature impeller part no. 23470-0065B available separately.

NOTE:- Service Kits contain standard mechanical seals. For hard faced seals, order parts separately.

### Other Available Options

Standard head kits, for close coupling to standard IEC motors.

## Jabsco

### USA

**Jabsco**  
1485 Dale Way  
Costa Mesa  
CA 92628-2158

Tel : +1 714 545 8251  
Fax : +1 714 957 0609

### UK

**Jabsco**  
Bingley Road  
Hoddesdon  
Hertfordshire, EN11 0BU

Tel : +44 (0) 1992 450 145  
Fax : +44 (0) 1992 467 132

### GERMANY

**Jabsco GmbH**  
Oststraße 28  
22844 Norderstedt

Tel : +49 (0) 40 53 53 73 0  
Fax : +49 (0) 40 53 53 73 11

### 28220 Series

#### Hygienic Stainless Steel Head Kit Pump

##### Features

- Self primes from dry up to 5.0 metres
- Flows up to 40 litres per minute
- Pressure up to 3.0 bar†
- Handles soft solids - max. 8mm diameter
- Certified to US 3A Standard 02-09
- Clean-In-Place (CIP) or easy strip clean
- Handles viscosities up to 10,000 centiPoise
- Minimal shear to thixotropic fluids
- Fits IEC standard motor B3/B14, frame 80



##### Typical Applications

- Foods, sauces, doughs, preserves, liquid egg, meat pastes
- Dairy products, milk, cream, yoghurt, cheeses
- Cosmetics, toothpaste, shampoos, soaps
- Pharmaceutical creams & lotions
- Wines, beers, soft drinks, fruit juices & syrups
- Ingredients unloading and transfer
- Tank filling and emptying
- Recirculation and mixing
- Portion and container filling
- Brine injection
- Sampling, filtration and more

##### Specifications

**Seal** : Carbon / Ceramic mechanical face seal  
Tungsten Carbide / Ceramic hard faced seal  
Flushed options for crystallising fluids

**Seal Elastomer** : Food grade Nitrile

**Pump Head** : Stainless steel 316, machined interior and electropolished exterior finish

**End Cover** : Stainless steel 316 grade

**Shaft** : Stainless steel 316 grade shaft extension

**Bearings** : Uses motor bearings

**Motor Adaptor** : Epoxy coated cast iron

Ports :			
1"	Tri-Clamp	28220-1xxx	
25mm	IDF/ISS	28220-3xxx	
1"	RJT to BS1864	28220-4xxx	
1"	3A Bevel Seat	28220-5xxx	
25mm	DIN 11851	28220-6xxx	
25mm	SMS 1145	28220-7xxx	

##### Model Range

**Weight** : 2.5kg


Pressure options	Standard - Max 2.5 bar		High - Max 3.0 bar†	
	3A Neoprene	E.P.D.M.	3A Neoprene	E.P.D.M.
Elastomer option	3A Neoprene	E.P.D.M.	3A Neoprene	E.P.D.M.
Temperature range	4°C to 65°C	0°C to 120°C	4°C to 65°C	0°C to 120°C
<b>Mechanical Seal Options</b>				
Carbon/Ceramic	28220-x105	28220-x102	28220-x125	28220-x122
Tungsten Carbide/Ceramic hard faced	28220-x205		28220-x225	
<b>Flushed Mechanical Seal</b>				
Tungsten Carbide/Ceramic hard faced	28220-x705		28220-x725	
Carbon/Ceramic	28220-x905		28220-x925	

For models not listed above, consult distributor or factory, 'x' Substitute port code from table above

Note : it is not recommended to start the pump at extremes of the temperature range, impeller damage may occur

For Installation, Operating, Maintenance and Safety Instructions refer to form 43001-0543

**⚠ WARNING** Explosion hazard. Do not pump gasoline, solvents, thinners or other flammable liquids. To do so can cause an explosion resulting in injury or death.

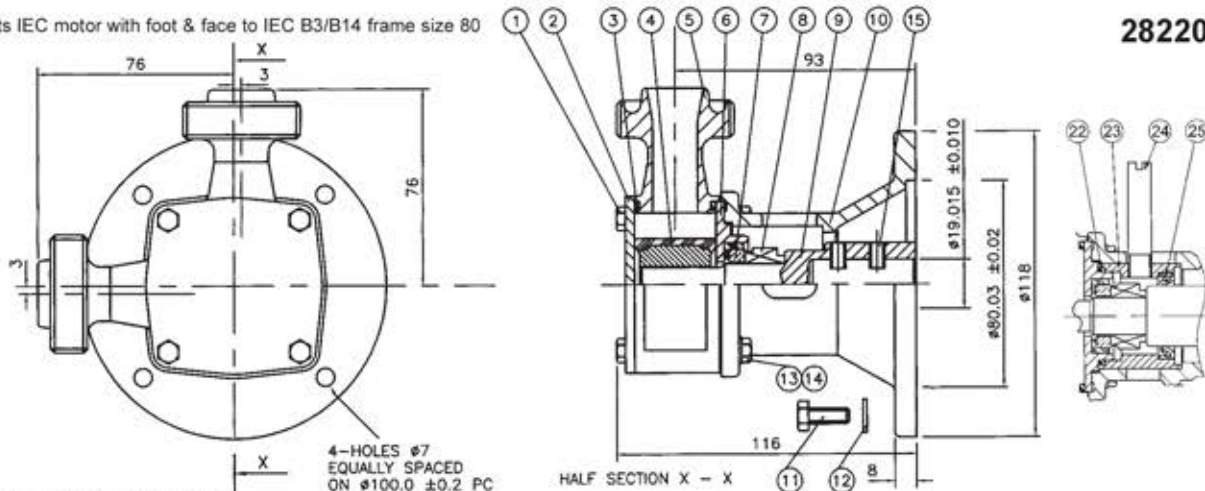


† Pressures over 2.5 bar may reduce motor shaft life



Fits IEC motor with foot & face to IEC B3/B14 frame size 80

### 28220 Series



Dimensions in mm

For performance data refer to the 040 size flexible impeller pump performance curves

### Parts List

Key	Description	Qty	Part Number
1	Screw	4	X3001-147F
2	Endcover	1	28205-0020
3	O'Ring *	2	See right
4	Impeller*	1	See right
5	Body	1	See right
6	Wearplate	1	28236-0000
7 / 8	Seal Assembly *	1	See right
9	Shaft Extension	1	28227-0001
10	Motor Adaptor	1	28223-0000
11	Screw	4	X3001-180F
12	Washer	4	X3080-091K
13	Screw	4	X3001-153F
14	Washer	4	X3080-081F
15	Set Screw	2	X3009-176A
22	O-Ring	1	X4020-237A
23	Seal Housing	1	28212-0000
24	Tube	2	21844
25	Seal	1	SP2701-0913

Parts marked \* Contained in service kit

### Spare Parts & Service Kits

Pressure Rating		Standard	High	
3	O-Ring	Nitrile X4020-259A	X4020-259A	
4	Impeller	3A Neoprene	7614-0005B	8980-0005B
		E.P.D.M.	7614-0002B	8980-0002B
		Tri-Clamp	28204-1000	28204-1000
5	Body	IDF/ISS	28204-3000	28204-3000
		RJT	28204-4000	28204-4000
		Bevel Seat	28204-5000	28204-5000
		DIN	28204-6000	28204-6000
		SMS	28204-7000	28204-7000
7 / 8	Seals	Std Mech.	28231-0103B	28231-0103B
		Hard Faced	28231-0203B	28231-0203B
Service Kit		3A Neoprene	SK376-0105	SK376-0125
		E.P.D.M.		

Models with Neoprene and E.P.D.M. impellers use Nitrile elastomers on seals and O-rings.

High Temperature impeller part no. 23470-0065B available separately.

NOTE:- Service Kits contain standard mechanical seals. For hard faced seals, order parts separately.

### Other Available Options

Pedestal pumps, for higher pressure capability.

## Jabsco

### USA

**Jabsco**  
1485 Dale Way  
Costa Mesa  
CA 92628-2158

Tel : +1 714 545 8251  
Fax : +1 714 957 0609

### UK

**Jabsco**  
Bingley Road  
Hoddesdon  
Hertfordshire, EN11 0BU

Tel : +44 (0) 1992 450 145  
Fax : +44 (0) 1992 467 132

### GERMANY

**Jabsco GmbH**  
Oststraße 28  
22844 Norderstedt

Tel : +49 (0) 40 53 53 73 0  
Fax : +49 (0) 40 53 53 73 11

### 28230 Series Stainless Steel Pedestal Pump

#### Features

- Self primes from dry up to 5.0 metres
- Flows up to 40 litres per minute
- Pressure up to 3.0 bar
- Handles hard or soft solids - max. 5mm dia
- Tolerates abrasive wear - replacable wearplate
- Non pulsating flow, proportional to speed
- Handles viscosities up to 4,000 centiPoise
- Minimal shear to thixotropic fluids
- Easy to service and maintain



#### Typical Applications

- Acids and alkalis, compounds, copper sulphate, methyls, alcohols.
- Industrial chemicals, resins, oils, fatty acids, brine.
- Detergents, soaps, hydrogen peroxide.
- Paints, dyes, inks, varnishes, laquers, solvents.
- Transfer, filling, recirculation and agitation, spillage return, spraying, coating, filtration.
- Viscous, shear-sensitive fluids, small hard and soft solids in suspension.

#### Specifications

**Seal** : Carbon / Ceramic mechanical face seal

**Optional:**

- Tungsten Carbide / Ceramic hard faced mechanical seal
- Nitrile Lip seal on shaft sleeve
- Carbon / Ceramic flushed seal
- Tungsten Carbide / Ceramic hard faced flushed seal

**Seal Elastomer** : Nitrile or Viton

**Pump Head** : Stainless steel 316, as-cast interior and exterior finish

**End Cover** : Stainless steel 316 grade

**Shaft** : Stainless steel 316 grade

**Bearings** : Greased ball bearings

**Bearing Housing** : Epoxy coated cast iron

**Ports** : 3/4" BSP internal thread to BS21 (DIN2999)

**Weight** : 2.8kg

#### Model Range

Pressure options	Standard - Max 2.5 bar				High - Max 3.0 bar				
	Elastomer option	Neoprene	E.P.D.M.	Nitrile	Viton®	Neoprene	E.P.D.M.	Nitrile	Viton®
Temperature range	4°C to 80°C	0°C to 120°C	-5°C to 90°C	10°C to 90°C	4°C to 80°C	0°C to 120°C	-5°C to 90°C	10°C to 90°C	
<b>Mechanical Seal Options</b>									
Carbon/Ceramic	28230-2101	28230-2102	28230-2103	28230-2104	28230-2121	28230-2122	28230-2123	28230-2124	
Tungsten Carbide/Ceramic hard faced			28230-2203				28230-2223		
Lip seal	28230-2401				28230-2421				
<b>Flushed Mechanical Seal</b>									
Tungsten Carbide/Ceramic hard faced			28230-2703				28230-2723		
Carbon/Ceramic			28230-2903				28230-2923		

For models not listed above, consult distributor or factory

Note : it is not recommended to start the pump at extremes of the temperature range, impeller damage may occur

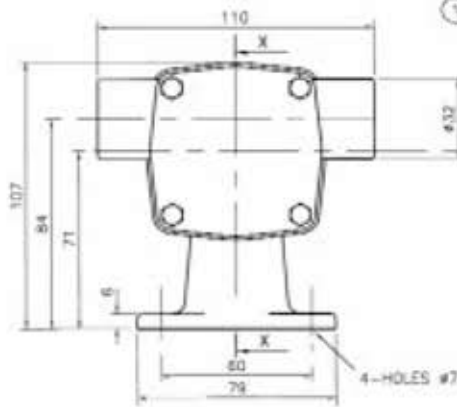
For Installation, Operating, Maintenance and Safety Instructions refer to form 43001-0543



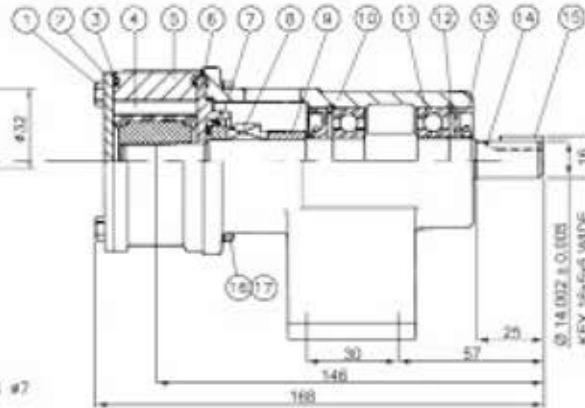
**WARNING** Explosion hazard. Do not pump gasoline, solvents, thinners or other flammable liquids. To do so can cause an explosion resulting in injury or death.



**WARNING** Injury hazard. Exposed pulleys and belts can cause injury. Install shield around pulleys and belts. Stay clear while machinery is operating.

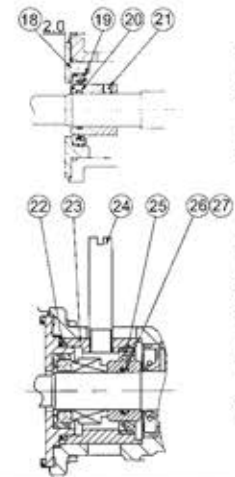


Dimensions in mm



For performance data refer to the 040 size flexible impeller pump performance curves

### 28230 Series



### Parts List

Key	Description	Qty	Part Number
1	Screw	4	X3001-147F
2	Endcover	1	28205-0010
3	O'Ring *	2	See right
4	Impeller*	1	See right
5	Body	1	28234-2000
6	Wearplate	1	28236-0000
7 / 8	Seal Assembly *	1	See right
9	Seal Spacer	1	28217-0000
10	Bearing Housing	1	28203-0000
11	Bearing	2	SP2600-01
12	Retaining Ring	2	SP1701-4435
13	Lip seal (Bearing Housing)	2	SP2700-39
14	Shaft	1	28207-0000
15	Key	1	X4000-109A
16	Washer	4	X3080-081F
17	Screw	4	X3001-153F
18	Wearplate	1	28266-0000
19	Lip Seal	1	SP2701-0913
20	O-Ring	1	X4020-215A
21	Seal Spacer	1	28265-0001
22	O-Ring	1	X4020-237A
23	Seal Housing	1	28212-0000
24	Tube	2	21844
25	Seal	1	SP2701-0913
26	O-Ring	1	X4020-215A
27	Seal Spacer	1	28217-0001

Parts marked \* Contained in service kit

### Spare Parts & Service Kits

Pressure Rating		Medium	High	
3	O-Ring	Nitrile	X4020-259A	X4020-259A
		Viton	X4020-259B	X4020-259B
4	Impeller	Neoprene	14281-0001B	8980-0021B
		E.P.D.M.	7614-0002B	8980-0002B
		Nitrile	14281-0003B	8980-0023B
		Viton	14281-0004B	8980-0024B
7 / 8	Std Mech. Seals	Nitrile	28231-0103B	28231-0103B
		Viton	28231-0104B	28231-0104B
	Hard Faced	Nitrile	28231-0203B	28231-0203B
		Viton	28231-0204B	28231-0204B
Service Kit		Neoprene	SK376-0101	SK376-0121
		Nitrile	SK376-0103	
		Viton	SK376-0104	

Models with Neoprene and E.P.D.M. impellers use Nitrile elastomers on seals and O-rings.

High Temperature impeller part no. 23470-0065B available separately.

Viton is a registered trademark of DuPont Dow Elastomers.

### Other Available Options

Standard head kits, for close coupling to standard IEC motors.

## Jabsco

### USA

**Jabsco**  
1485 Dale Way  
Costa Mesa  
CA 92628-2158

Tel : +1 714 545 8251  
Fax : +1 714 957 0609

### UK

**Jabsco**  
Bingley Road  
Hoddesdon  
Hertfordshire, EN11 0BU

Tel : +44 (0) 1992 450 145  
Fax : +44 (0) 1992 467 132

### GERMANY

**Jabsco GmbH**  
Oststraße 28  
22844 Norderstedt

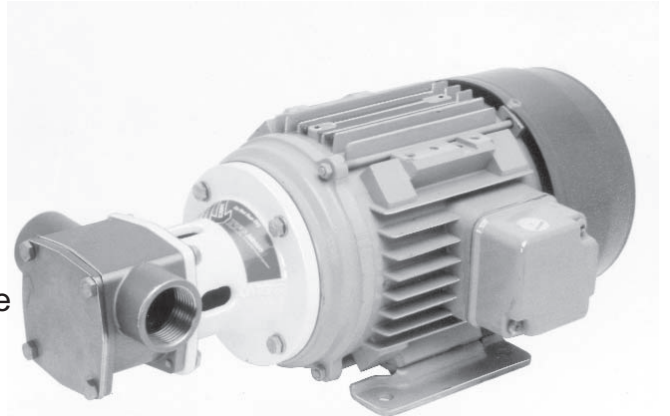
Tel : +49 (0) 40 53 53 73 0  
Fax : +49 (0) 40 53 53 73 11



## 28240 Series Stainless Steel Head Kit Pump

### Features

- Self primes from dry up to 5.0 metres
- Flows up to 40 litres per minute
- Pressure up to 3.0 bar†
- Handles hard or soft solids - max. 5mm dia
- Tolerates abrasive wear - replacable wearplate
- Non pulsating flow, proportional to speed
- Handles viscosities up to 4,000 centiPoise
- Minimal shear to thixotropic fluids
- Fits IEC standard motor B3/B14, frame 80



### Typical Applications

- Acids and alkalis, compounds, copper sulphate, methyls, alcohols.
- Industrial chemicals, resins, oils, fatty acids, brine.
- Detergents, soaps, hydrogen peroxide.
- Paints, dyes, inks, varnishes, laquers, solvents.
- Transfer, filling, recirculation and agitation, spillage return, spraying, coating, filtration.
- Viscous, shear-sensitive fluids, small hard and soft solids in suspension.


### Model Range

Pressure options	Standard - Max 2.5 bar				High - Max 3.0 bar†				
	Elastomer option	Neoprene	E.P.D.M.	Nitrile	Viton®	Neoprene	E.P.D.M.	Nitrile	Viton®
Temperature range	4°C to 80°C	4°C to 100°C	10°C to 90°C	15°C to 90°C	4°C to 80°C	4°C to 100°C	10°C to 90°C	15°C to 90°C	
Mechanical Seal Options									
Carbon/Ceramic	28240-2101	28240-2102	28230-2103	28240-2104	28240-2121	28240-2122	28240-2123	28240-2124	
Tungsten Carbide/Ceramic hard faced	28240-2201								
Lip seal			28240-2403						
Flushed Mechanical Seal									
Tungsten Carbide/Ceramic hard faced			28240-2703						
Carbon/Ceramic			28240-2903						

For models not listed above, consult distributor or factory

Note : it is not recommended to start the pump at extremes of the temperature range, impeller damage may occur

For Installation, Operating, Maintenance and Safety Instructions refer to form 43001-0543



**WARNING** Explosion hazard. Do not pump gasoline, solvents, thinners or other flammable liquids. To do so can cause an explosion resulting in injury or death.

### Specifications

**Seal** : Carbon / Ceramic mechanical face seal  
**Optional:**

- Tungsten Carbide / Ceramic hard faced mechanical seal
- Nitrile Lip seal on shaft sleeve
- Carbon / Ceramic flushed seal
- Tungsten Carbide / Ceramic hard faced flushed seal

**Seal Elastomers** : Nitrile or Viton

**Pump Head** : Stainless steel 316, as-cast interior and exterior finish

**End Cover** : Stainless steel 316 grade

**Shafts** : Stainless steel 316 grade, shaft extension

**Bearings** : Uses motor bearings

**Motor Adaptor** : Epoxy coated cast iron

**Ports** : 3/4" BSP internal thread to BS21 (DIN2999)

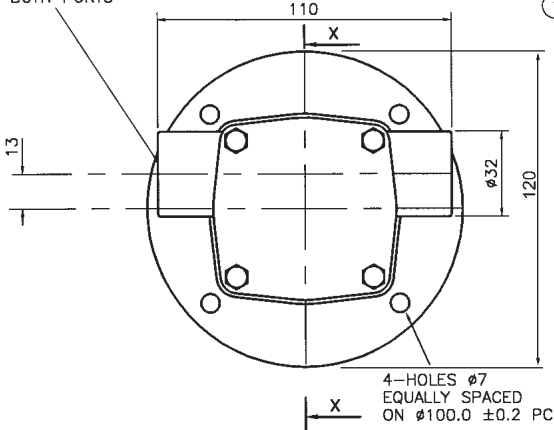
**Weight** : 2.6kg

† Pressures over 2.5 bar may reduce motor shaft life

Fits IEC motor with foot & face to IEC B3/B14 frame size 80

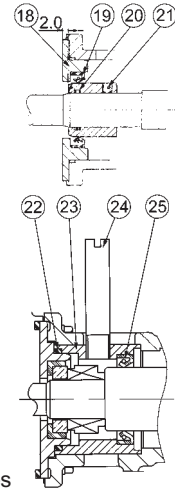
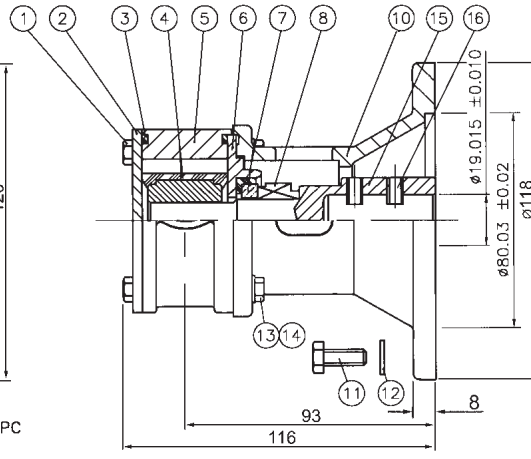
### 28240 Series

Rp 3/4 (BS21) x 16 DEEP  
BOTH PORTS



Dimensions in mm

For performance data refer to the 040 size flexible impeller pump performance curves



Lip Seal

Flushed Seal

### Parts List

Key	Description	Qty	Part Number
1	Screw	4	X3001-147F
2	Endcover	1	28205-0010
3	O'Ring *	2	See right
4	Impeller*	1	See right
5	Body	1	28234-2000
6	Wearplate	1	28236-0000
7 / 8	Seal Assembly *	1	See right
10	Motor Adaptor	1	28223-0000
11	Screw	4	X3001-180F
12	Washer	4	X3080-091K
13	Screw	4	X3001-153F
14	Washer	4	X3080-081F
15	Shaft Extension	1	28227-0001
16	Set Screw	2	X3009-176A
18	Wearplate	1	28266-0000
19	Lip Seal	1	SP2701-0913
20	O-Ring	1	X4020-215A
21	Seal Spacer	1	28265-0011
22	O-Ring	1	X4020-237A
23	Seal Housing	1	28212-0000
24	Tube	2	21844
25	Seal	1	SP2701-0913

Parts marked \* Contained in service kit

### Spare Parts & Service Kits

Pressure Rating			Medium	High
3	O-Ring	Nitrile	X4020-259A	X4020-259A
		Viton	X4020-259B	X4020-259B
4	Impeller	Neoprene	14281-0001B	8980-0021B
		E.P.D.M.	7614-0002B	8980-0002B
		Nitrile	14281-0003B	8980-0023B
		Viton	14281-0004B	8980-0024B
7 / 8	Std Mech. Seals	Nitrile	28231-0103B	28231-0103B
		Viton	28231-0104B	28231-0104B
	Hard Faced	Nitrile	28231-0203B	28231-0203B
		Viton	28231-0204B	28231-0204B
Service Kit		Neoprene	SK376-0101	SK376-0121
		Nitrile	SK376-0103	
		Viton	SK376-0104	

Models with Neoprene and E.P.D.M. impellers use Nitrile elastomers on seals and O-rings.

High Temperature impeller part no. 23470-0065B available separately.

Viton is a registered trademark of DuPont Dow Elastomers.

### Other Available Options

Pedestal pumps, for coupling to motor, gearbox or pulley.

Let's Solve Water

#### USA

**Jabsco**  
20 Icon  
Foothill Ranch  
CA 92610

Tel : +1 949 859 4945  
Fax : +1 949 859 1153

#### UK

**Jabsco**  
Bingley Road  
Hoddesdon  
Hertfordshire, EN11 0BU

Tel : +44 (0) 1992 450 145  
Fax : +44 (0) 1992 467 132

#### GERMANY

**Jabsco GmbH**  
Oststraße 28  
22844 Norderstedt

Tel : +49 (0) 40 53 53 73 0  
Fax : +49 (0) 40 53 53 73 11