

28300 Series

Hygienic Stainless Steel Pedestal Pump

Features

- Self primes from dry up to 5.0 metres
- Flows up to 80 litres per minute
- Pressure up to 4.0 bar
- Handles soft solids - max. 12mm diameter
- Certified to US 3A Standard 02-09
- Clean-In-Place (CIP) or easy strip clean
- Handles viscosities up to 50,000 centiPoise
- Minimal shear to thixotropic fluids
- Easy to service and maintain



Typical Applications

- Foods, sauces, doughs, preserves, liquid egg, meat pastes
- Dairy products, milk, cream, yoghurt, cheeses
- Cosmetics, toothpaste, shampoos, soaps
- Pharmaceutical creams & lotions
- Wines, beers, soft drinks, fruit juices & syrups
- Ingredients unloading and transfer
- Tank filling and emptying
- Recirculation and mixing
- Portion and container filling
- Brine injection
- Sampling, filtration and more

Specifications

Seal : Carbon / Ceramic mechanical face seal
Tungsten Carbide / Ceramic hard faced seal
Flushed options for crystallising fluids

Seal Elastomer : Food grade Nitrile

Pump Head : Stainless steel 316, machined interior and electropolished exterior finish

End Cover : Stainless steel 316 grade

Shaft : Stainless steel 316 grade

Bearings : Greased ball bearings

Bearing Housing : Epoxy coated cast iron

Ports :			
1"	Tri-Clamp	28300-1xxx	
25mm	IDF/ISS	28300-3xxx	
1"	RJT to BS1864	28300-4xxx	
1"	3A Bevel Seat	28300-5xxx	
25mm	DIN 11851	28300-6xxx	
25mm	SMS 1145	28300-7xxx	

Model Range

Weight : 4.4kg


Pressure options	Standard - Max 2.5 bar		High - Max 4.0 bar	
	3A Neoprene	E.P.D.M.	3A Neoprene	E.P.D.M.
Elastomer option	3A Neoprene	E.P.D.M.	3A Neoprene	E.P.D.M.
Temperature range	4°C to 65°C	0°C to 120°C	4°C to 65°C	0°C to 120°C
Mechanical Seal Options				
Carbon/Ceramic	28300-x105	28300-x102	28300-x125	28300-x122
Tungsten Carbide/Ceramic hard faced	28300-x205		28300-x225	
Flushed Mechanical Seal				
Tungsten Carbide/Ceramic hard faced	28300-x705	28300-x702	28300-x725	
Carbon/Ceramic	28300-x905		28300-x925	

For models not listed above, consult distributor or factory, 'x' Substitute port code from table above


Note : it is not recommended to start the pump at extremes of the temperature range, impeller damage may occur

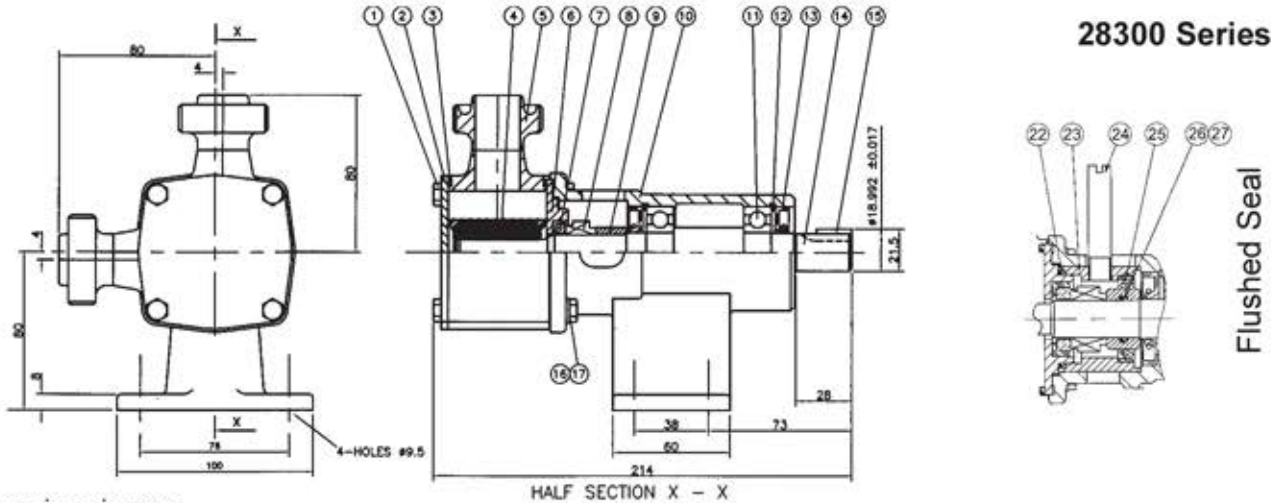
For Installation, Operating, Maintenance and Safety Instructions refer to form 43001-0543

⚠ WARNING Explosion hazard. Do not pump gasoline, solvents, thinners or other flammable liquids. To do so can cause an explosion resulting in injury or death.



⚠ WARNING Injury hazard. Exposed pulleys and belts can cause injury. Install shield around pulleys and belts. Stay clear while machinery is operating.





Dimensions in mm

For performance data refer to the 080 size flexible impeller pump performance curves

Parts List

Key	Description	Qty	Part Number
1	Screw	4	X3001-176F
2	Endcover	1	28305-0020
3	O'Ring *	2	See right
4	Impeller*	1	See right
5	Body	1	See right
6	Wearplate	1	28336-0000
7 / 8	Seal Assembly *	1	See right
9	Seal Spacer	1	28317-0000
10	Bearing Housing	1	28303-0000
11	Bearing	2	SP2601-33
12	Retaining Ring	2	SP1701-438
13	Lip seal (Bearing Housing)	2	SP2701-0910
14	Shaft	1	28307-0000
15	Key	1	X4000-130A
16	Washer	4	X3080-091K
17	Screw	4	X3001-180F
22	O-Ring	1	X4020-244A
23	Seal Housing	1	28312-0000
24	Tube	2	21844
25	Seal	1	SP2701-0914
26	O-Ring	1	X4020-217A
27	Seal Spacer	1	28317-0001

Parts marked * Contained in service kit

Spare Parts & Service Kits

Pressure Rating		Standard	High
3	O-Ring	Nitrile X4020-269A	X4020-269A
4	Impeller	3A Neoprene 8981-0005B	8840-0005B
		E.P.D.M. 8981-0002B	8840-0002B
5	Body	Tri-Clamp 28304-1000	28304-1000
		IDF/ISS 28304-3000	28304-3000
		RJT 28304-4000	28304-4000
		Bevel Seat 28304-5000	28304-5000
		DIN 28304-6000	28304-6000
7 / 8	Seals	SMS 28304-7000	28304-7000
		Std Mech. 28331-0103B	28331-0103B
		Hard Faced 28331-0203B	28331-0203B
Service Kit	3A Neoprene	SK377-0105	SK377-0125
	E.P.D.M.		

Models with Neoprene and E.P.D.M. impellers use Nitrile elastomers on seals and O-rings.

NOTE:- Service Kits contain standard mechanical seals. For hard faced seals, order parts separately.

Other Available Options

Standard head kits, for close coupling to standard IEC motors.

Jabsco

USA

Jabsco
1485 Dale Way
Costa Mesa
CA 92628-2158

Tel : +1 714 545 8251
Fax : +1 714 957 0609

UK

Jabsco
Bingley Road
Hoddesdon
Hertfordshire, EN11 0BU

Tel : +44 (0) 1992 450 145
Fax : +44 (0) 1992 467 132

GERMANY

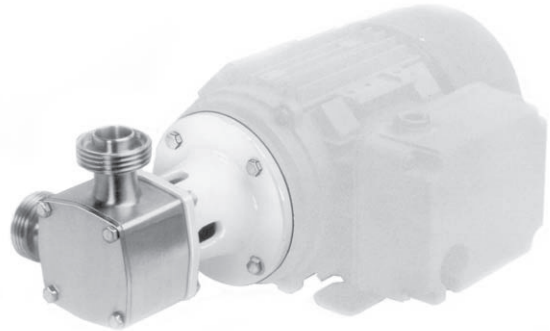
Jabsco GmbH
Oststraße 28
22844 Norderstedt

Tel : +49 (0) 40 53 53 73 0
Fax : +49 (0) 40 53 53 73 11

28320 Series Hygienic Stainless Steel Head Kit Pump

Features

- Self primes from dry up to 5.0 metres
- Flows up to 80 litres per minute
- Pressure up to 4.0 bar†
- Handles soft solids - max. 12mm diameter
- Certified to US 3A Standard 02-10
- Easy strip clean
- Handles viscosities up to 10,000 centiPoise
- Minimal shear to thixotropic fluids
- Fits IEC standard motor B3/B14, frame 80



Typical Applications

- Foods, sauces, doughs, preserves, liquid egg, meat pastes
- Dairy products, milk, cream, yoghurt, cheeses
- Cosmetics, toothpaste, shampoos, soaps
- Pharmaceutical creams & lotions
- Wines, beers, soft drinks, fruit juices & syrups
- Ingredients unloading and transfer
- Tank filling and emptying
- Recirculation and mixing
- Portion and container filling
- Brine injection
- Sampling, filtration and more

Model Range


Pressure options	Standard - Max 2.5 bar†		High - Max 4.0 bar†	
	3A Neoprene	E.P.D.M.	3A Neoprene	E.P.D.M.
Temperature range	4°C to 70°C	4°C to 100°C	4°C to 70°C	4°C to 100°C
Mechanical Seal Options				
Carbon/Ceramic	28320-x105		28320-x125	
Tungsten Carbide/Ceramic hard faced	28320-x205			
Flushed Mechanical Seal				
Tungsten Carbide/Ceramic hard faced				
Carbon/Ceramic				

For models not listed above, consult distributor or factory, 'x' Substitute port code from table above

Note : it is not recommended to start the pump at extremes of the temperature range, impeller damage may occur

For Installation, Operating, Maintenance and Safety Instructions refer to form 43001-0543

⚠ WARNING Explosion hazard. Do not pump gasoline, solvents, thinners or other flammable liquids. To do so can cause an explosion resulting in injury or death.



Specifications

Seal : Carbon / Ceramic mechanical face seal
Tungsten Carbide / Ceramic hard faced seal
Flushed options for crystallising fluids

Seal Elastomer : Food grade Nitrile

Pump Head : Stainless steel 316, machined interior and electropolished exterior finish

End Cover : Stainless steel 316 grade

Shaft : Stainless steel 316 grade shaft extension

Bearings : Uses motor bearings

Motor Adaptor : Epoxy coated cast iron

Ports :		
1"	Tri-Clamp	28320-1xxx
25mm	IDF/ISS	28320-3xxx
1"	RJT to BS1864	28320-4xxx
1"	3A Bevel Seat	28320-5xxx
25mm	DIN 11851	28320-6xxx
25mm	SMS 1145	28320-7xxx

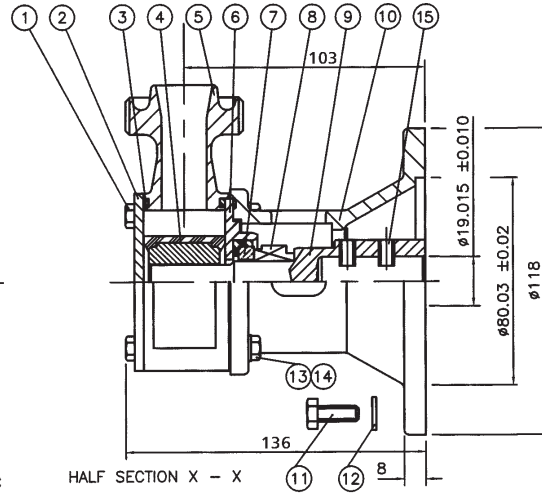
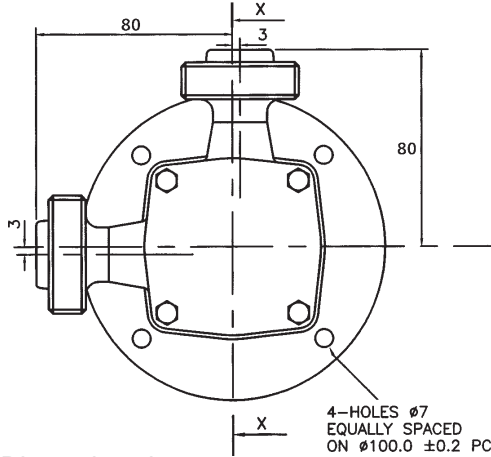
Weight : 3.5kg

† Pressures over 1.7 bar may reduce motor shaft life

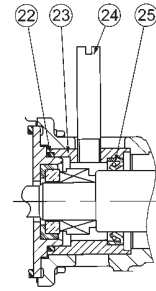
080 Size Hygienic Stainless Steel FIP Pump

01/07

Fits IEC motor with foot & face to IEC B3/B14 frame size 80



28320 Series



Flushed Seal

Dimensions in mm

For performance data refer to the 080 size flexible impeller pump performance curves

Parts List

Key	Description	Qty	Part Number
1	Screw	4	X3001-176F
2	Endcover	1	28305-0020
3	O'Ring *	2	See right
4	Impeller*	1	See right
5	Body	1	See right
6	Wearplate	1	28336-0000
7 / 8	Seal Assembly *	1	See right
9	Shaft Extension	1	28327-0001
10	Motor Adaptor	1	28323-0000
11	Screw	4	X3001-180F
12	Washer	4	X3080-091K
13	Screw	4	X3001-180F
14	Washer	4	X3080-091F
15	Set Screw	2	X3009-176A
22	O-Ring	1	X4020-244A
23	Seal Housing	1	28312-0000
24	Tube	2	21844
25	Seal	1	SP2701-0914

Parts marked * Contained in service kit

Spare Parts & Service Kits

Pressure Rating		Standard	High
3	O-Ring	Nitrile X4020-269A	X4020-269A
4	Impeller	3A Neoprene 8981-0005B	8840-0005B
		E.P.D.M. 8981-0002B	8840-0002B
5	Body	Tri-Clamp 28304-1000	28304-1000
		IDF/ISS 28304-3000	28304-3000
		RJT 28304-4000	28304-4000
		Bevel Seat 28304-5000	28304-5000
		DIN 28304-6000	28304-6000
		SMS 28304-7000	28304-7000
7 / 8	Seals	Std Mech. 28331-0103B	28331-0103B
		Hard Faced 28331-0203B	28331-0203B
Service Kit		3A Neoprene SK377-0105	SK377-0125
		E.P.D.M.	

Models with Neoprene and E.P.D.M. impellers use Nitrile elastomers on seals and O-rings.

NOTE:- Service Kits contain standard mechanical seals. For hard faced seals, order parts separately.

Other Available Options

Pedestal pumps, for higher pressure capability.

Let's Solve Water

Jabsco, 1 Kondelin Road, Cape Ann Industrial Park, Gloucester, MA 01930

Tel : +1 978 281 0440 Fax : +1 978 283 2619

Jabsco, Bingley Road, Hoddesdon, Hertfordshire, EN11 0BU

Tel : +44 (0)1992 450145 Fax : +44 (0)1992 467132

Fluid Products Canada, 55 Royal Road, Guelph, Ontario N1H 1T1

Tel : +1 519 821 1900 Fax : +1 519 821 5316

NHK Jabsco Co Ltd, 3-21-10, Shin - Yokohama, Kohoku-ku, Yokohama 222

Tel : +81 (0) 45 475 8906 Fax : +81 (0) 45 475 8908

Jabsco GmbH, Oststraße 28, 22844 Norderstedt

Tel : +49 (0) 40 53 53 73 0 Fax : +49 (0) 40 53 53 73 11

Jabsco Italia, s.r.l., Via Tommaseo, 6, 20059 Vimercate, Milano

Tel : +39 039 685 2323 Fax : +39 039 666 307

USA

UK

CANADA

JAPAN

GERMANY

ITALY



080 Size Stainless Steel FIP Pedestal Pump

11/00

28330 Series Stainless Steel Pedestal Pump

Features

- Self primes from dry up to 5.0 metres
- Flows up to 80 litres per minute
- Pressure up to 4.0 bar
- Handles hard or soft solids - max. 6mm dia
- Tolerates abrasive wear - replacable wearplate
- Non pulsating flow, proportional to speed
- Handles viscosities up to 4,000 centiPoise
- Minimal shear to thixotropic fluids
- Easy to service and maintain



Typical Applications

- Acids and alkalis, compounds, copper sulphate, methyls, alcohols.
- Industrial chemicals, resins, oils, fatty acids, brine.
- Detergents, soaps, hydrogen peroxide.
- Paints, dyes, inks, varnishes, laquers, solvents.
- Transfer, filling, recirculation and agitation, spillage return, spraying, coating, filtration.
- Viscous, shear-sensitive fluids, small hard and soft solids in suspension.

Specifications

Seal : Carbon / Ceramic mechanical face seal

Optional:

- Tungsten Carbide / Ceramic hard faced mechanical seal
- Nitrile Lip seal on shaft sleeve
- Carbon / Ceramic flushed seal
- Tungsten Carbide / Ceramic hard faced flushed seal

Seal Elastomer : Nitrile or Viton

Pump Head : Stainless steel 316, as-cast interior and exterior finish

End Cover : Stainless steel 316 grade

Shaft : Stainless steel 316 grade

Bearings : Greased ball bearings

Bearing Housing : Epoxy coated cast iron

Ports : 1" BSP internal thread to BS21 (DIN2999)

Weight : 4.2kg

Model Range


Pressure options	Standard - Max 2.5 bar				High - Max 4.0 bar			
	Neoprene	E.P.D.M.	Nitrile	Viton®	Neoprene	E.P.D.M.	Nitrile	Viton®
Elastomer option	Neoprene	E.P.D.M.	Nitrile	Viton®	Neoprene	E.P.D.M.	Nitrile	Viton®
Temperature range	4°C to 80°C	0°C to 120°C	-5°C to 90°C	10°C to 90°C	4°C to 80°C	0°C to 120°C	-5°C to 90°C	10°C to 90°C
Mechanical Seal Options								
Carbon/Ceramic	28330-2101	28330-2102	28330-2103	28330-2104	28330-2121	28330-2122	28330-2123	28330-2124
Tungsten Carbide/Ceramic hard faced	28330-2201		28330-2203					
Lip seal	28330-2401							
Flushed Mechanical Seal								
Tungsten Carbide/Ceramic hard faced			28330-2703					
Carbon/Ceramic			28330-2903					

For models not listed above, consult distributor or factory


Note : it is not recommended to start the pump at extremes of the temperature range, impeller damage may occur

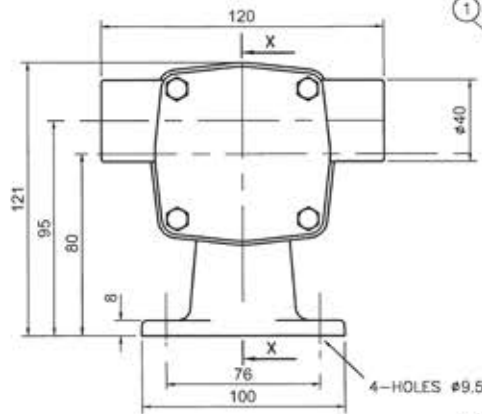
For Installation, Operating, Maintenance and Safety Instructions refer to form 43001-0543

⚠ WARNING Explosion hazard. Do not pump gasoline, solvents, thinners or other flammable liquids. To do so can cause an explosion resulting in injury or death.

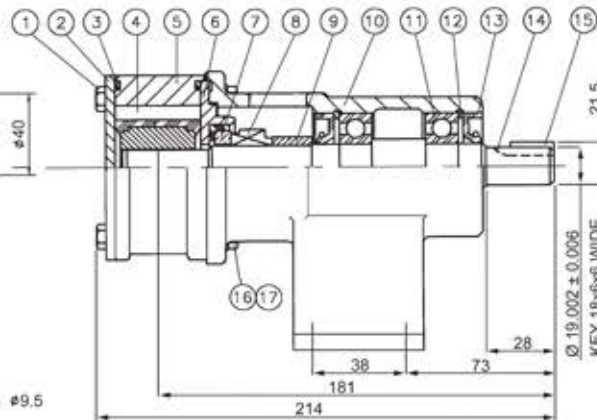


⚠ WARNING Injury hazard. Exposed pulleys and belts can cause injury. Install shield around pulleys and belts. Stay clear while machinery is operating.



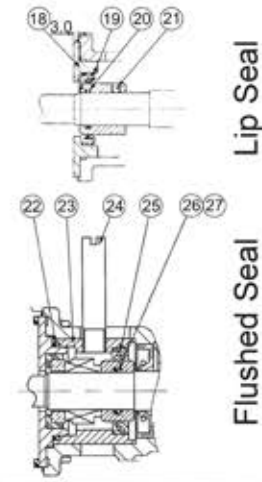


Dimensions in mm



For performance data refer to the 080 size flexible impeller pump performance curves

28330 Series



Lip Seal

Flushed Seal

Parts List

Key	Description	Qty	Part Number
1	Screw	4	X3001-176F
2	Endcover	1	28305-0010
3	O'Ring *	2	See right
4	Impeller*	1	See right
5	Body	1	28334-2000
6	Wearplate	1	28336-0000
7 / 8	Seal Assembly *	1	See right
9	Seal Spacer	1	28317-0000
10	Bearing Housing	1	28303-0000
11	Bearing	2	SP2601-33
12	Retaining Ring	2	SP1701-438
13	Lip seal (Bearing Housing)	2	SP2701-0910
14	Shaft	1	28307-0000
15	Key	1	X4000-130A
16	Washer	4	X3080-091K
17	Screw	4	X3001-180F
18	Wearplate	1	28366-0000
19	Lip Seal	1	SP2701-0914
20	O-Ring	1	X4020-217A
21	Seal Spacer	1	28365-0011
22	O-Ring	1	X4020-244A
23	Seal Housing	1	28312-0000
24	Tube	2	21844
25	Seal	1	SP2701-0914
26	O-Ring	1	X4020-217A
27	Seal Spacer	1	28317-0001

Parts marked * Contained in service kit

Spare Parts & Service Kits

Pressure Rating		Medium	High
3	O-Ring	Nitrile X4020-269A	X4020-269A
		Viton X4020-269B	X4020-269B
4	Impeller	Neoprene 14282-0001B	8840-0021B
		E.P.D.M. 8981-0002B	8840-0002B
		Nitrile 14282-0003B	8840-0023B
		Viton 14282-0004B	8840-0024B
7 / 8	Std Mech.	E.P.D.M. 28331-0102B	28331-0102B
		Nitrile 28331-0103B	28331-0103B
		Viton 28331-0104B	28331-0104B
	Hard Faced	Nitrile 28331-0203B	28331-0203B
		Viton 28331-0204B	28331-0204B
		Neoprene SK377-0101	SK377-0121
Service Kit	Nitrile SK377-0103		
	Viton SK377-0104	SK377-0124	

Models with Neoprene impellers use Nitrile elastomers on seals and O-rings.

Viton is a registered trademark of DuPont Dow Elastomers.

Other Available Options

Standard head kits, for close coupling to standard IEC motors.

Jabsco

USA

Jabsco
1485 Dale Way
Costa Mesa
CA 92628-2158

Tel : +1 714 545 8251
Fax : +1 714 957 0609

UK

Jabsco
Bingley Road
Hoddesdon
Hertfordshire, EN11 0BU

Tel : +44 (0) 1992 450 145
Fax : +44 (0) 1992 467 132

GERMANY

Jabsco GmbH
Oststraße 28
22844 Norderstedt

Tel : +49 (0) 40 53 53 73 0
Fax : +49 (0) 40 53 53 73 11



080 Size Stainless Steel FIP Head Kit Pump

11/00

28340 Series Stainless Steel Head Kit Pump

Features

- Self primes from dry up to 5.0 metres
- Flows up to 80 litres per minute
- Pressure up to 2.5 bar†
- Handles hard or soft solids - max. 5mm dia
- Tolerates abrasive wear - replacable wearplate
- Non pulsating flow, proportional to speed
- Handles viscosities up to 4,000 centiPoise
- Minimal shear to thixotropic fluids
- Fits IEC standard motor B3/B14, frame 80



Typical Applications

- Acids and alkalis, compounds, copper sulphate, methyls, alcohols.
- Industrial chemicals, resins, oils, fatty acids, brine.
- Detergents, soaps, hydrogen peroxide.
- Paints, dyes, inks, varnishes, laquers, solvents.
- Transfer, filling, recirculation and agitation, spillage return, spraying, coating, filtration.
- Viscous, shear-sensitive fluids, small hard and soft solids in suspension.

Specifications

Seal : Carbon / Ceramic mechanical face seal

Optional:

- Tungsten Carbide / Ceramic hard faced mechanical seal
- Nitrile Lip seal on shaft sleeve
- Carbon / Ceramic flushed seal
- Tungsten Carbide / Ceramic hard faced flushed seal

Seal Elastomers : Nitrile or Viton

Pump Head : Stainless steel 316, as-cast interior and exterior finish

End Cover : Stainless steel 316 grade

Shafts : Stainless steel 316 grade, shaft extension

Bearings : Uses motor bearings

Motor Adaptor : Epoxy coated cast iron

Ports : 1" BSP internal thread to BS21 (DIN2999)

Weight : 3.3kg

Model Range

Pressure options	Standard - Max 2.5 bar†							
Elastomer option	Neoprene	E.P.D.M.	Nitrile	Viton®				
Temperature range	4°C to 80°C	0°C to 120°C	-5°C to 90°C	10°C to 90°C				
Mechanical Seal Options								
Carbon/Ceramic	28340-2101	28340-2102	28340-2103	28340-2104				
Tungsten Carbide/Ceramic hard faced				28340-2204				
Lip seal	28340-2401							
Flushed Mechanical Seal								
Tungsten Carbide/Ceramic hard faced								
Carbon/Ceramic	28340-2901							

For models not listed above, consult distributor or factory

Note : it is not recommended to start the pump at extremes of the temperature range, impeller damage may occur

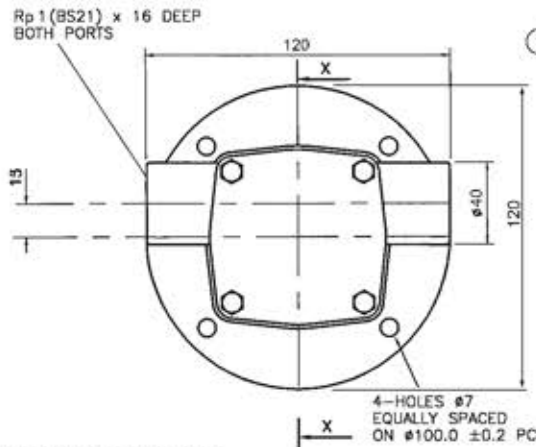
For Installation, Operating, Maintenance and Safety Instructions refer to form 43001-0543

⚠ WARNING Explosion hazard. Do not pump gasoline, solvents, thinners or other flammable liquids. To do so can cause an explosion resulting in injury or death.

† Pressures over 1.7 bar may reduce motor shaft life

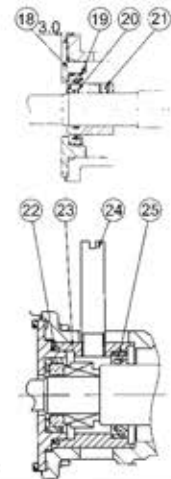
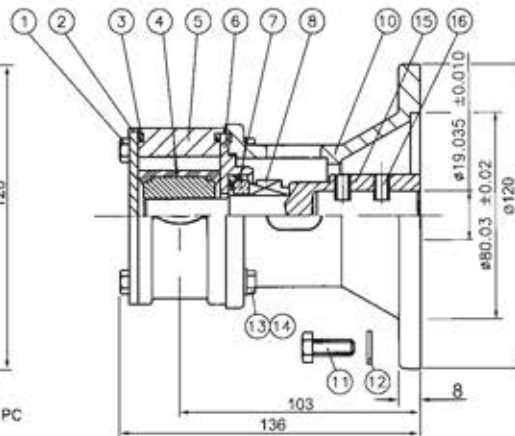
Fits IEC motor with foot & face to IEC B3/B14 frame size 80

28340 Series



Dimensions in mm

For performance data refer to the 080 size flexible impeller pump performance curves



Lip Seal
Flushed Seal

Parts List

Key	Description	Qty	Part Number
1	Screw	4	X3001-176F
2	Endcover	1	28305-0010
3	O'Ring *	2	See right
4	Impeller*	1	See right
5	Body	1	28334-2000
6	Wearplate	1	28336-0000
7 / 8	Seal Assembly *	1	See right
10	Motor Adaptor	1	28323-0000
11	Screw	4	X3001-180F
12	Washer	4	X3080-091K
13	Screw	4	X3001-180F
14	Washer	4	X3080-091K
15	Shaft Extension	1	28327-0001
16	Set Screw	2	X3009-176A
18	Wearplate	1	28366-0000
19	Lip Seal	1	SP2701-0914
20	O-Ring	1	X4020-217A
21	Seal Spacer	1	28365-0001
22	O-Ring	1	X4020-244A
23	Seal Housing	1	28312-0000
24	Tube	2	21844
25	Seal	1	SP2701-0914

Parts marked * Contained in service kit

Spare Parts & Service Kits

3	O-Ring	Nitrile	X4020-269A
		Viton	X4020-269B
4	Impeller	Neoprene	14282-0001B
		E.P.D.M.	8981-0002B
		Nitrile	14282-0003B
		Viton	14282-0004B
7 / 8	Std Mech. Seals	E.P.D.M.	28331-0102B
		Nitrile	28331-0103B
	Hard Faced	Viton	28331-0104B
		Nitrile	28331-0203B
Service Kit		Viton	28331-0204B
		Neoprene	SK377-0101
		Nitrile	SK377-0103
		Viton	SK377-0104

Models with Neoprene impellers use Nitrile elastomers on seals and O-rings.

Viton is a registered trademark of DuPont Dow Elastomers.

Other Available Options

Pedestal pumps, for coupling to motor, gearbox or pulley.

Jabsco

USA

Jabsco
1485 Dale Way
Costa Mesa
CA 92628-2158

Tel : +1 714 545 8251
Fax : +1 714 957 0609

UK

Jabsco
Bingley Road
Hoddesdon
Hertfordshire, EN11 0BU

Tel : +44 (0) 1992 450 145
Fax : +44 (0) 1992 467 132

GERMANY

Jabsco GmbH
Oststraße 28
22844 Norderstedt

Tel : +49 (0) 40 53 53 73 0
Fax : +49 (0) 40 53 53 73 11