



# Cyclone Centrifugal Pumps

HEAVY DUTY PUMPS FOR CIRCULATION SOLUTIONS

## Featuring

- Flows up to 29 GPM (110 LPM)
- Long life DC motor
- Anti-clog impeller design
- Single tool servicing
- Extended life motor bearings
- Industrial grade mechanical seal
- Heavy duty 316 stainless steel wet end components
- 3 Year Warranty

Jabsco's Cyclone range of 316 stainless steel centrifugal pumps are the best pumps for engine cooling, closed-circuit circulation systems, livewell circulation, central heating, chemical transfer, calf feeding carts, and other flooded suction applications.

Jabsco offers brushed motors capable of 2,500-3,500 hours along with an anti-clogging impeller which allows small debris to pass through the pump. If servicing or adjustment is necessary, only a 3/8" wrench is needed to remove the impeller to inspect the mechanical seal.



Learn more  
at [xylem.com](http://xylem.com)

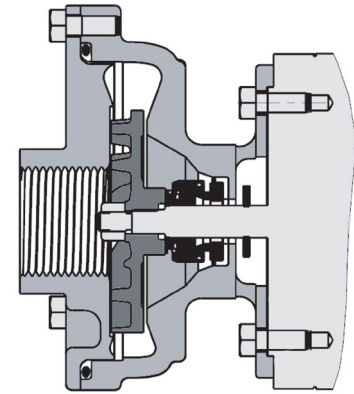


a xylem brand

# Cyclone Centrifugal Pumps HEAVY DUTY PUMPS FOR CIRCULATION SOLUTIONS

## Features and Benefits

- 6.5' (2m) suction lift with flooded inlet/suction
- 3/4" NPTF or BSPF suction/discharge ports
- Handles seawater, fresh water, anti-freeze, mild chemicals, bilge water
- Accepts fluid temperatures between 39°F (4°C) - 203°F (95°C)
- Various discharge port configurations available
- Carbon and stainless steel mechanical seal
- Silent, vibration free running
- Meets or exceeds CE & ISO 8846 Marine (Ignition Protection)

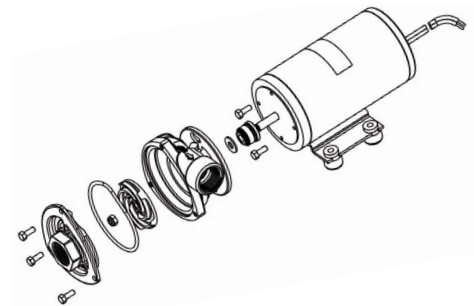


## 50840 Series

- 29 GPM (110 LPM) max. flow
- 3,500 Hr motor life
- Continuous duty rated motor
- 6.3"L x 4.0"W x 4.4"H

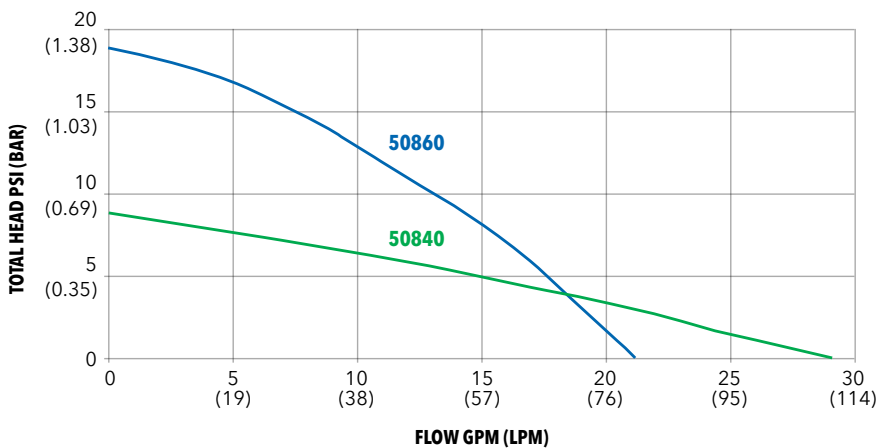
## 50860 Series

- 21 GPM (80 LPM) max. flow
- 2,500 Hr motor life
- Intermittent duty rated motor (max. 30 minutes on, min. 30 minutes off)
- 8.2"L x 4.0"W x 4.4"H



## Performance Curve

Performance Based On Standard Operating Voltage (12.8VDC or 25.6VDC model voltage)



MODEL	VOLTAGE	PORTS	DISCHARGE
50840-0012	12	NPTF	Right
50840-0212	12	NPTF	Up
50840-2012	12	BSPF	Right
50840-0024	24	NPTF	Right
50840-2024	24	BSPF	Right
50840-2124	24	BSPF	Left
50860-0012	12	NPTF	Right
50860-0112	12	NPTF	Left
50860-2012	12	BSPF	Right
50860-0024	24	NPTF	Right
50860-2024	24	BSPF	Right



Warranty: All products of the company are sold and all services of the company are offered subject to the company's warranty and terms and conditions of sale, copies of which will be furnished upon request. The information provided herein is for guidance only, it does not constitute a guarantee of the performance or specification of any individual product or component.

[www.xylem.com/jabsco](http://www.xylem.com/jabsco)

**USA**  
Xylem Inc.  
100 Cummings Center  
Suite 535N Beverly MA, 01915  
Tel: (978) 281-0440  
Fax: (978) 283-2619

**UK**  
Xylem Inc.  
Bingley Road, Hoddesdon  
Hertfordshire EN11 0BU  
Tel: +44 (0) 1992 450145  
Fax: +44 (0) 1992 467132

**GERMANY**  
Xylem Inc.  
Oststrasse 28  
22844 Norderstedt  
Tel: +49-40-53 53 73-0  
Fax: +49-40-53 53 73-11

**PHILIPPINES**  
Xylem Inc.  
12 Ring Road, LISP II  
Brgy. Lamesa, Calamba City 4027  
Tel: 63 (49) 5434341  
Fax: 63 (49) 5456817

**CHINA**  
Xylem Inc.  
30/F Tower A, 100 Zunyi Road  
Shanghai, China 200051  
Tel: +86-21-2208-2888  
Fax: +86-21-2208-2999

**ITALY**  
Xylem Inc.  
Via Tommaseo, 6 20059  
Vimercate, Milano  
Tel: +39 039 685 2323  
Fax: +39 039 666 307